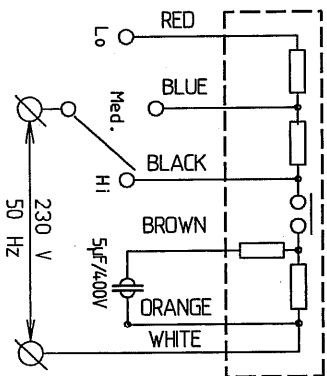
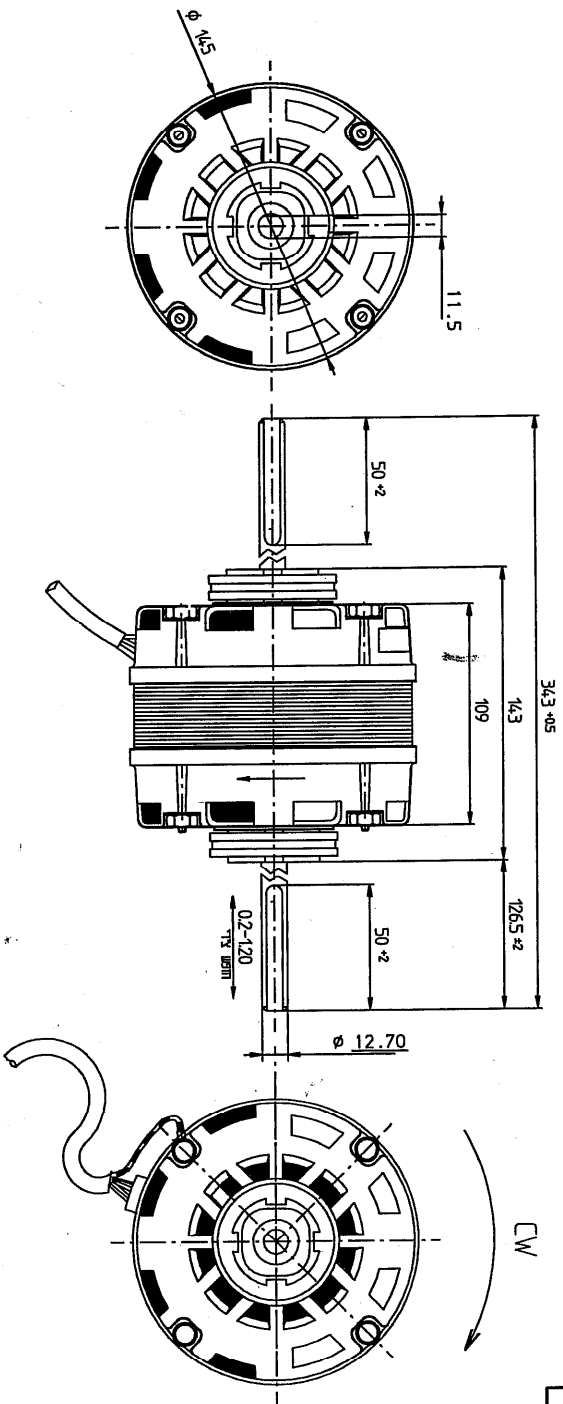


all dimensions in mm.



WIRE CATING	672651	LEN	WIRE ENDS
DESCRIPTION	COLOR	LENGTH	WIRE TERMINAL
	YELLOW/GREEN	1050±10	
	WHITE/BLACK/BROWN/ORANGE/RED	1000±10	FASTON 290F04 +COVER
4x2 PVC SLEEVE	BLACK	680-20	

COLOR: BLACK
 TYPE 4382651 MSR 250 DYNAR
 CAT No:407044 CLB THPR
 1PH 230V 50HZ 17A HP:1/3
 RPM:1150/970/865 5µF/400V DATE

OLD: 33-227-5

DRWG. NO: 3848	Motor assembly - MSR 250
Drawn MR 260601	Cat.No: 1312651
Approved	Motor type 4382651
Scale 1/2	Customer ELECTR A CAT No: 407044
Gen. tolerance ±10	
File: E-GRV38-2651/ASSY	Vt: 2651
	PRINT: 260601